

Product show of connector

TYPE : PV-JK03M

ISO9001:2008、ISO14001:2004、OHSAS18001 certified factory.

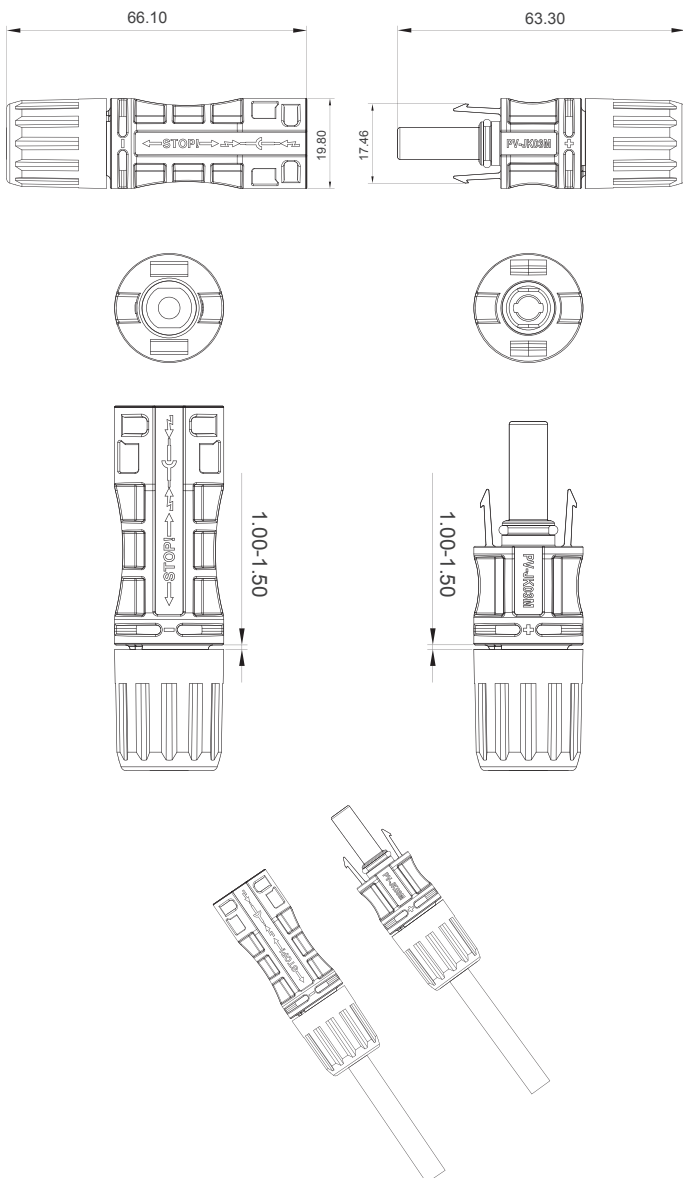
TUV Rheinland, UL certified products

***1500V Available**

Model of PV Connector: PV-JK03M



Engineering Drawing



Technical Parameters

Electrical Characteristics	
Rated Voltage	1000VDC or 1500VDC (TUV)
Rated Impulse Voltage	12000V or 16000V
Rated Insulation Voltage	6000V or 8000V
Rated Current (IEC 90°C)	30A (TUV)
Contact Resistance	<0.5 mΩ
Test Voltage	6KV or 8KV (50Hz,1min)
Protection Class	Class II
Overvoltage Category	CAT III
Pollution Degree	2
Mechanical Characteristics	
Dimensions Female	63.30mm*17.46mm
Dimensions Male	66.10mm*19.80mm
IP Rating	IP67
Conductor Material	Copper,tin plated
Cable Type	4mm ²
Insulation Material	PPE + PA
Bendings Radius	≥ 4 * Cable OD
Termination and Connection	Crimped Connection
Other Characteristics	
Ambient Temperature	From -40°C to +85°C
Upper limit Temperature	100°C
Flame Class	UL94 V-0(TUV)
Reference Standard	IEC 62852:2014
Operating Cycles	100
Values for Cable Clamp	5.7mm to 7.2mm
Wire cross section area or cross section range	1*4.0mm ²